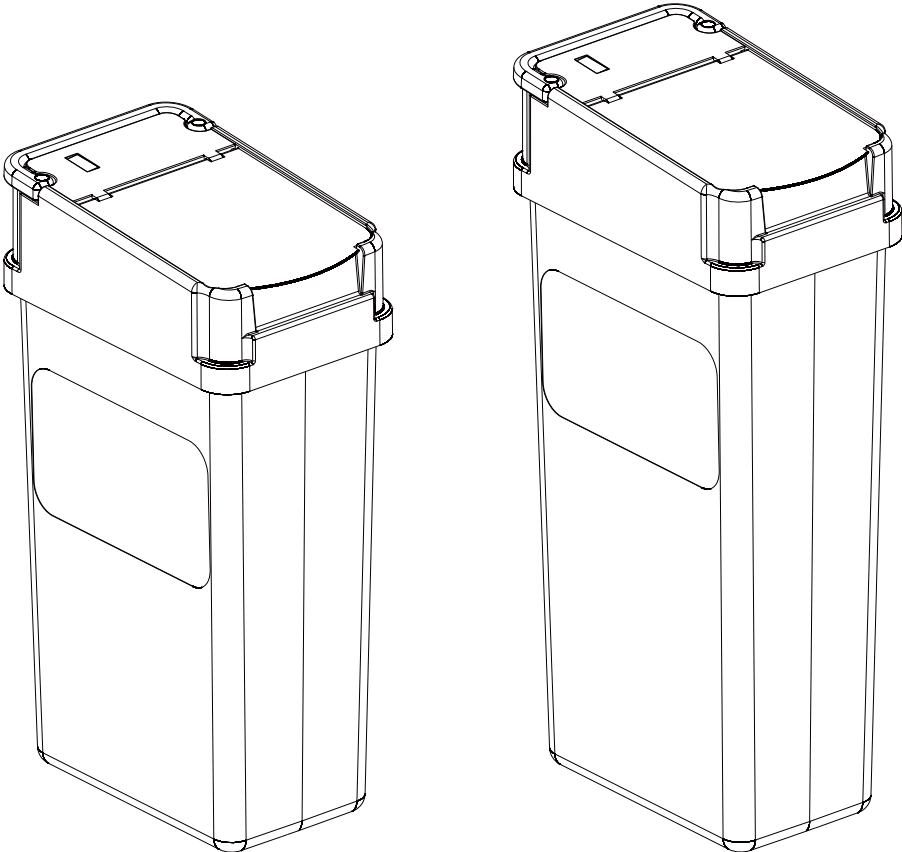


HT2056B

**SANITARY NAPPY IR SENSOR BIN
INSTRUCTION BOOK**

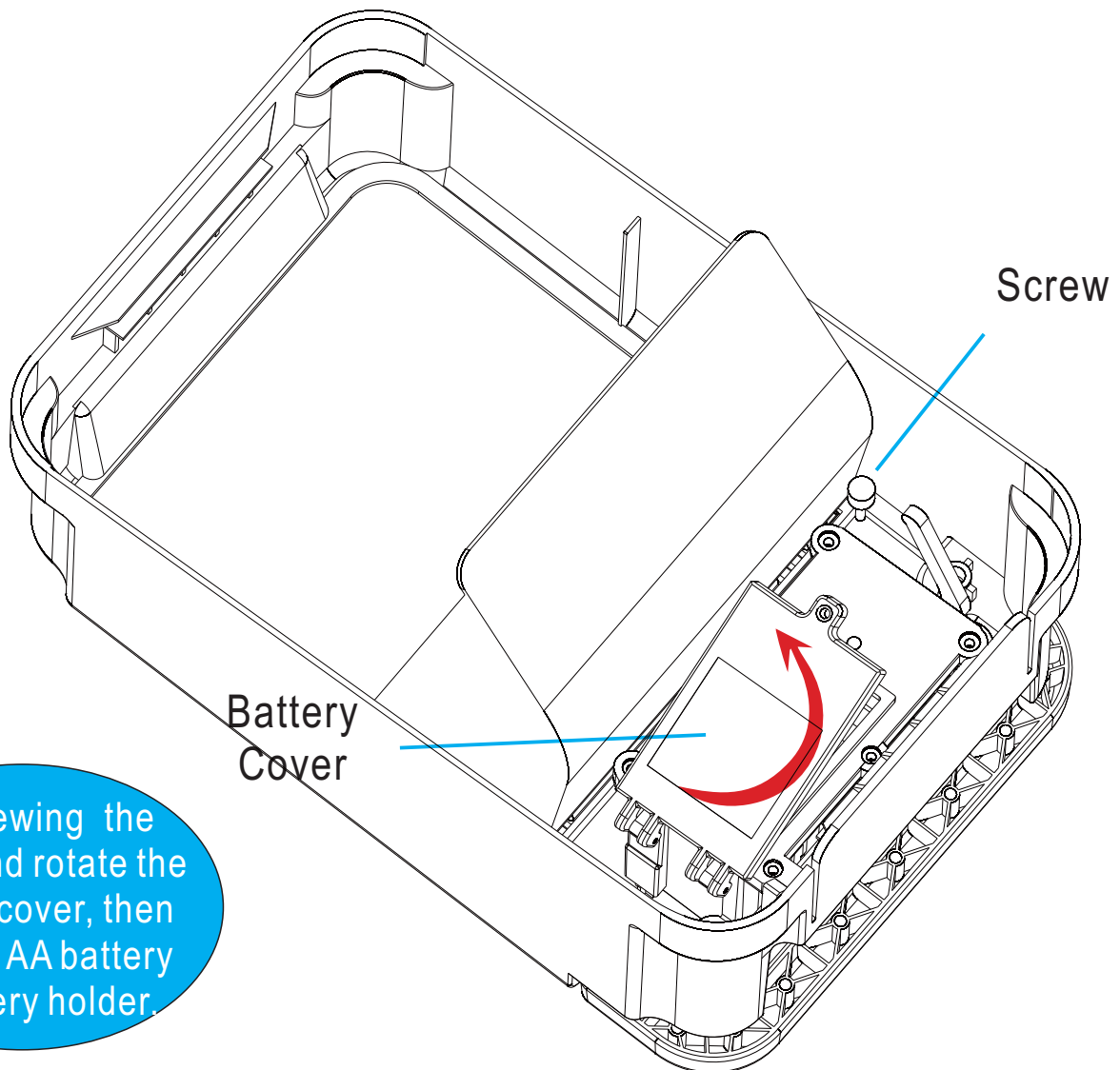


Sensor Bin User Instructions

First of all, thank you for choose our sensor bin. We have prepared a rapid instructions for you to read in 1 or 2 minutes. After read it you will know how to use this sensor bin.

Rapid Instructions

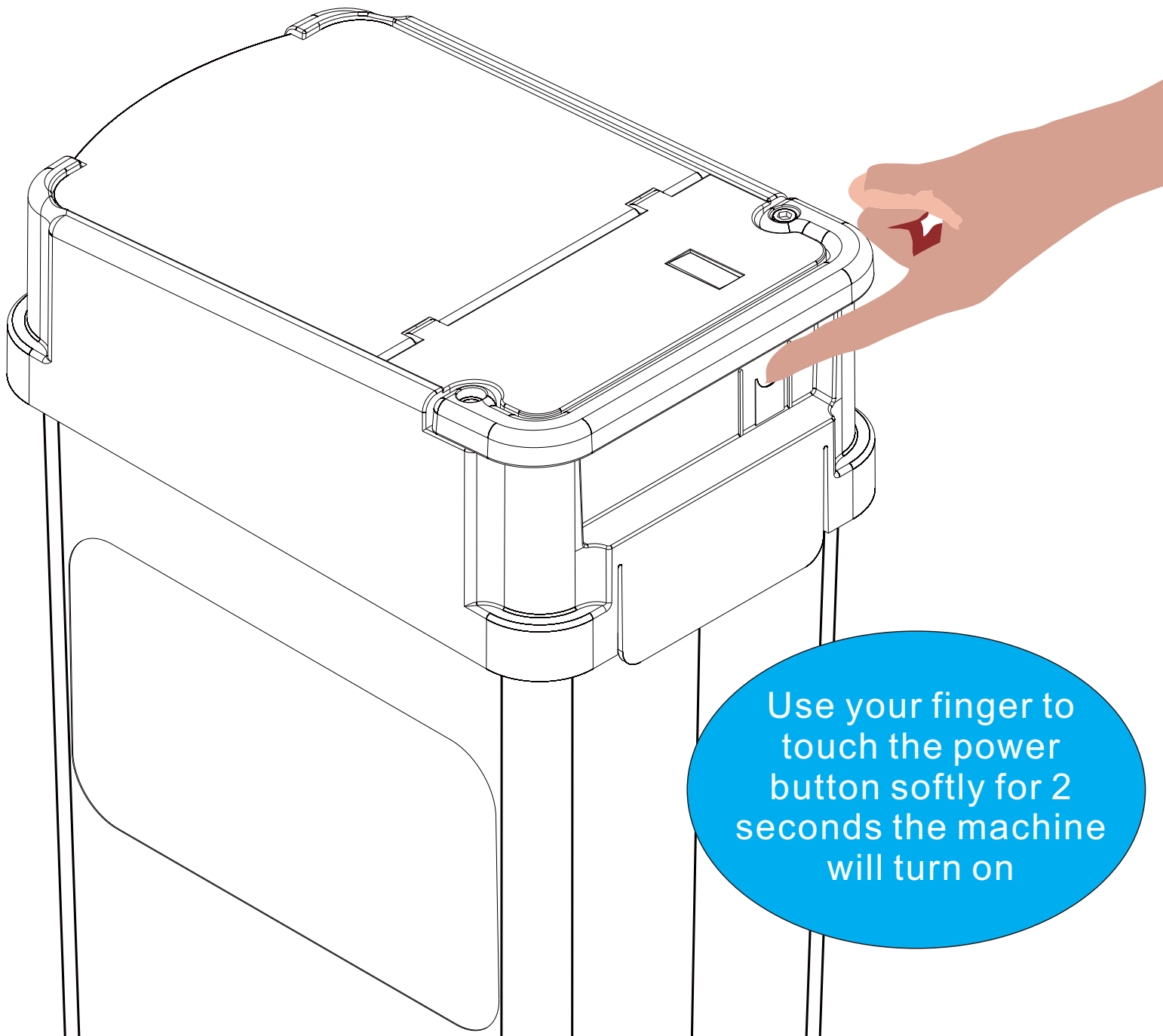
- Battery Install



Unscrewing the screw and rotate the battery cover, then install 4 AA battery in battery holder.

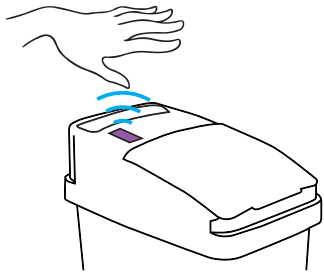
Note: Please use high capacity AA batteries for longer using time. Liquid alkaline AA battery is recommend. When install batteries please make sure the polarities of each battery is correctly according with the battery holder' s symbol showed directions and all are well connect with the springs and metals .

- Switch on (Induction Switch)

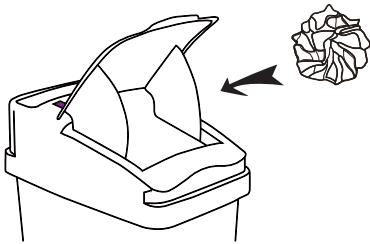


Use your finger to touch the power button softly for 2 seconds the machine will turn on

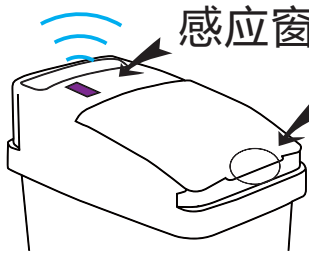
- Using instructions



将手平放在感应窗上方5至20厘米处停留1至2秒，桶盖将自动开启
Put your hand flatly above the sensor window for 5 to 20 cm high and stay for 1 or 2 seconds the lid will raise automatically



将丢弃物折叠后放入盖内
桶盖会自动闭合
Place wrapped rubbish in try, lid will close automatically



感应窗 Sensor Window

手动揭盖处 Manual Raise Lid

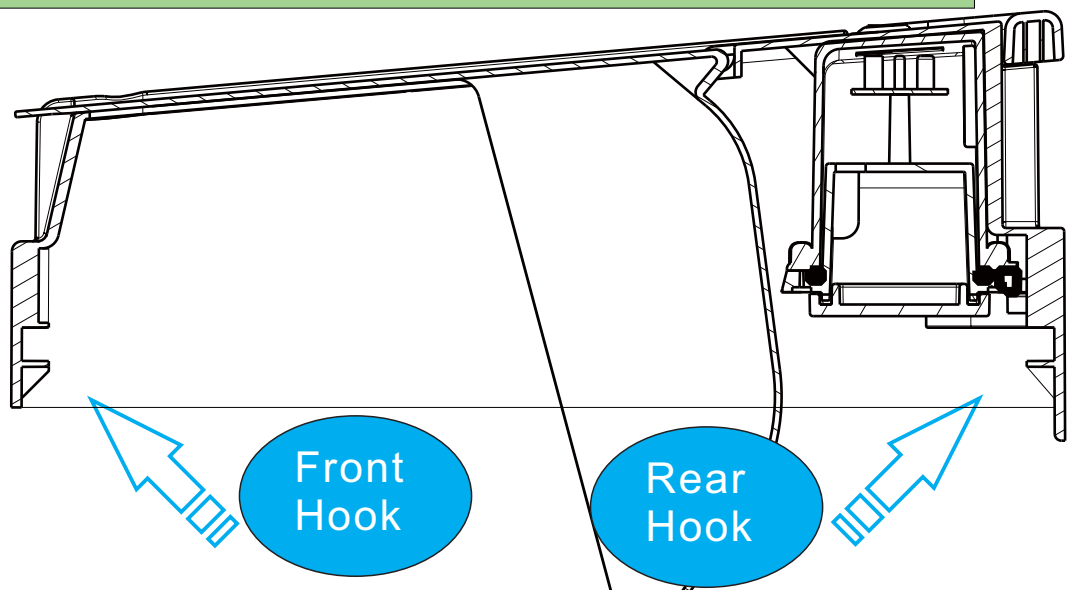
本产品防水设计,可直接水洗
Water proof design can be washed

专利产品 仿冒必纠



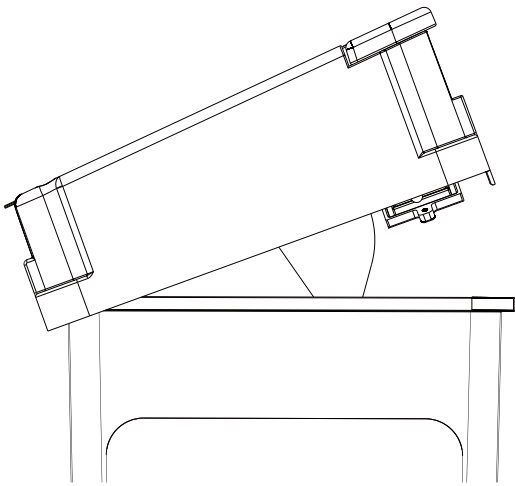
本产品含有广普抗菌剂成分，已经自动消毒，请放心使用。

• 3 Seconds install the top.

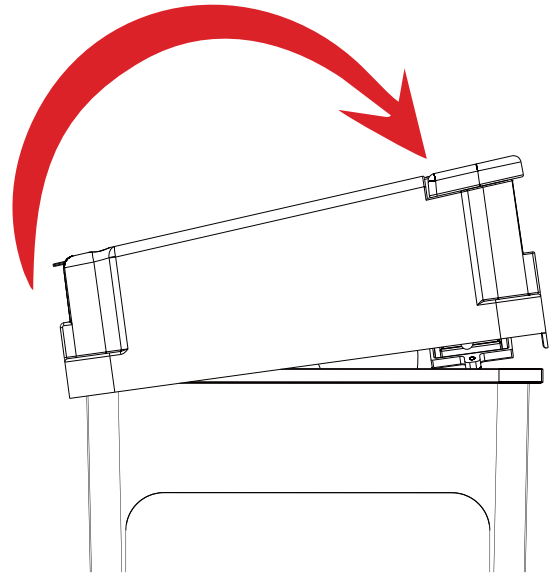


Front Hook

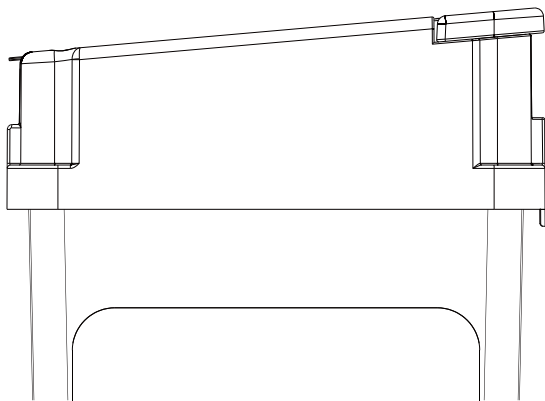
Rear Hook



A, Clip on the front hook first ;



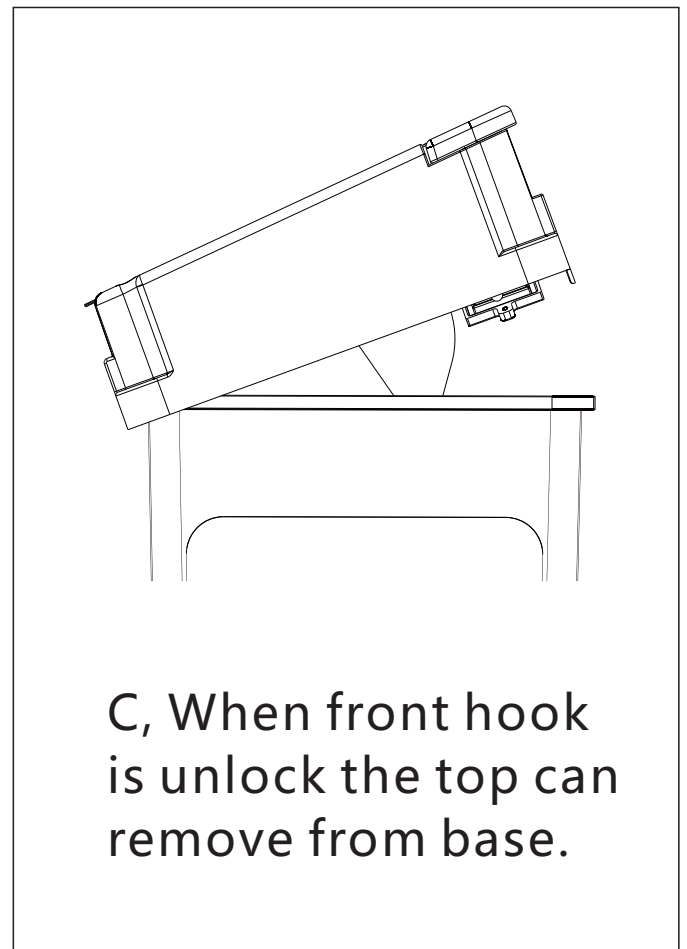
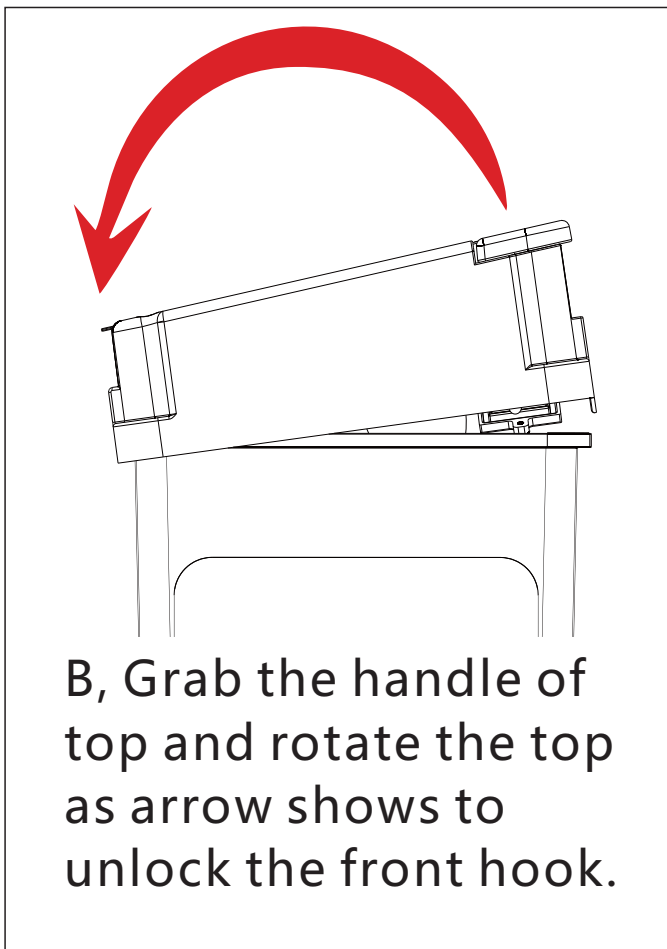
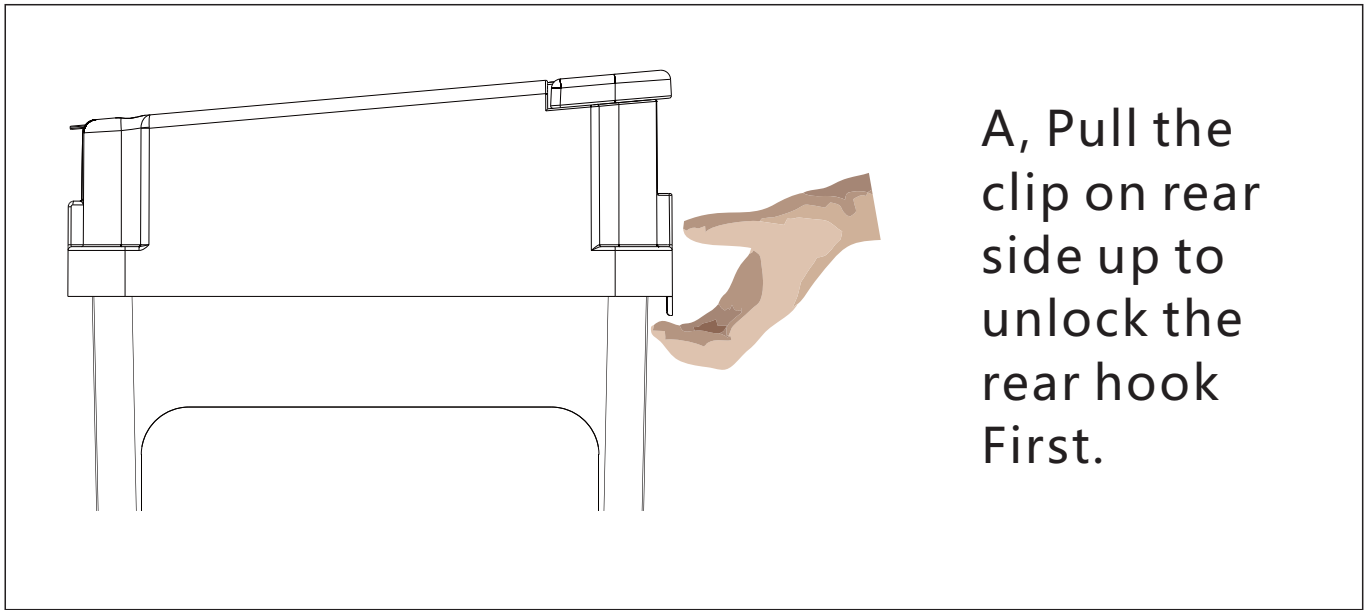
B, Rotate the top as arrow shows and press the rear side of top;



C, when the rear hook is well clip in, the top is well installed.

Note: The first time for new top install on the bin base that the top could be deformed a little bit inside of the shape which is normal. Just push hard and install the top on bin base. 1 or 2 days latter the top will come regularly. Then will be easy to install.

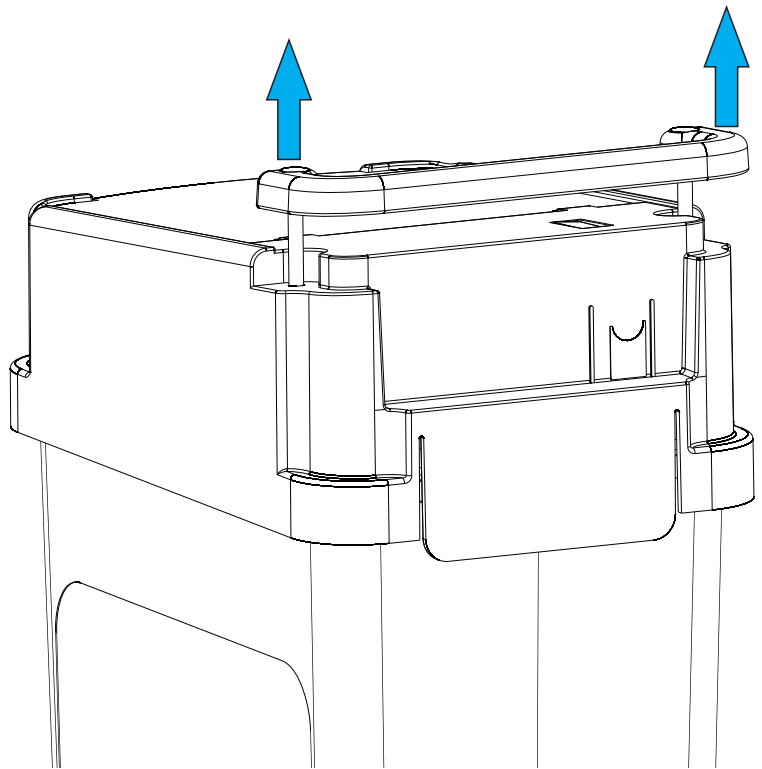
- **2 seconds remove top**



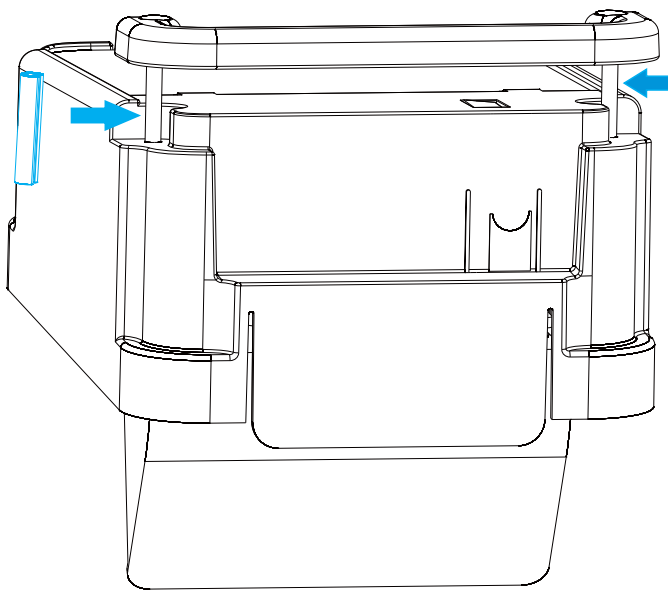
Rapid Instructions End

- Retractable Handle

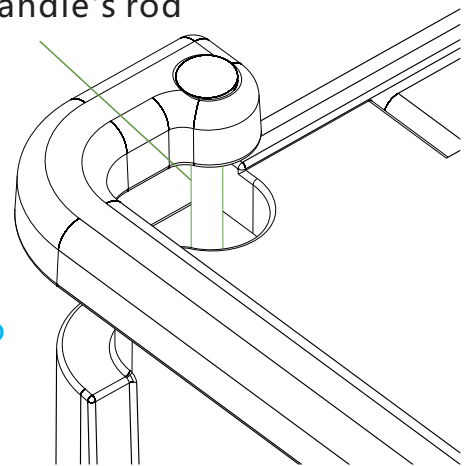
Lift the handle as the blue arrow show position at same time. Then the handle will lift up. After using push same position handle will retract down



- Handle fixation, User can use spare parts to fix the handle.



from this open edge fix in the handle's rod



When user want to fix the handle can use the blue spare parts which have pack with the bin.

• Specifications

Model: HT2056B

Power dissipation: Less than 0.5 W.

Temperature range: Indoor use , -5 °C to 50°C

Capacity:

A、 25L (Hight 67cm , Length 32cm , Width 21cm)

B、 20L (Hight 55cm , Length 32cm , Width 21 cm)

Net weight:

A,2.2kg (25L)

B, 2kg (20L)

Antibacterial property: According with ISO 22196-2011

Battery use: 4 unit AA alkaline batteries. (recommend use liquid high capacity AA)

Material : Bin base HDPE, Top PP COPO.

Using range : For sanitary purpose.

Bin use PE bag size: 60X80cm for 23 L; 50X60 cm for 18L; 45X50cm for 10L. All this is standard PE bag easy to find from market.

• Advantages

1, Automatic sensor switch: It's touch less sensor bin that the lid will open by sensor automatically. Just need user wave hand, a part of body or any object over the sensor window. 100% touch less more health and clean.

2, Completely seal design: the rubbish was completely seal inside bin base when flap is closed or even during it's opening. This changes the impression of bin. It improves the feeling of people.

3, Product are antibacterial design: all plastic parts has added anti-microbial chemical and reaches ISO 22196-2011 standard. Protect peoples's health.

4, Mechanical are water proof design that can be washed during daily use. It is more easier to use and clean a real easy use product.

5, Highly quality design, the motor has done 100,000 times opening and closing test. If each day use 30 times, it can be used for 10 years.

6, Long battery using time, 4 AA liquid battery can be used for over 1 year time with frequency 30 times/day for flat flap version. With Curved flap version over 8 months.

7, Power with inductive switch, easy to operate.

8, Use high impact engineering resins which for longer product life.

9, Electronics with burn-in test, reliable using life. Test conditions: 85 °C for 500 hours, and -40 °C for 48 hours.

10, Battery low warning function, when need change battery the LED will tell the people.

- Using instructions

Switch on:

1, Press the power button softly for 2 seconds the sensor bin will turn on. When sensor bin is turn on the green LED will shining for 2 seconds and flap will open 1 time to let user know the mechanism is turn on.

2, After turn on at standby status the green LED will shining each 4 seconds.

3, Battery low warning status: when battery is in low power status the green LED will shining each seconds to warn user to change batteries. When user see this status need change battery as soon as possible that low power battery may leak liquid and damage the machine. When battery voltage continue to drop down the flap will not lift complete up. Then user must change the battery.

Switch off:

1, Press power button softly for 2 seconds then the red LED will shining for 2 seconds the sensor bin is switch off.

2, At switch off status, red LED will shining each 4 seconds.

3, At battery low warning status after switch off the power, red LED shining for 2 seconds but after at switch off status red LED will not shining and only green LED will shining each seconds to indicate the battery need change.

Infrared sensor:

Infrared sensor working range is above the sensor window for 5 cm to 20 cm. at sensor bin turn on status when object or body inter the sensor working zone the lid will open automatically for 6 seconds for user to throw rubbish and then it will closing automatically.

Water proof design:

Our product is water proof design, all the electronics system is sealed inside the mechanical case so user can wash and clean the sensor bin by water. After washing just let it naturally dry up.

Certificate of design patent: 201430489633.4

Certificate of utility model patent : 201520058555.1

C E (E M C) test report: A1850088 01A

Antibacterial test report, following: ISO22196-2011: WJ20151424

• **Important Notes:**

- 1, Daily use should avoid to use hard things to scratch the sensor window, when it's not clean can use soft wet cloth or wet towel to clean the window.
- 2, When lid is open please do not push hard to pull it down. Push hard during it's lifting the lid may damage the mechanical system.
- 3, When lid could not reach the complete open position, it may means the battery is nearly finished. Please check the green LED if it is shining each seconds which means need change batteries. When change batteries please use completely new ones to instead the used batteries. No use as new batteries mix with used batteries.
- 4, The lid has designed with hand pick up areas, in no battery case can use manul to pick up the lid. When lid could not drop down please check the bin base may is full need empty and clean.
- 5, Suggest to clean the bin each time after empty it and also check the green LED is it in low battery warning status or not.
- 6, The bin top has designed with handle when user empty the bin can lift the bin to the rubbish collet place and then empty. This will avoid rubbish or any liquid leak during the way and also reduce using of PE bags which can reduce pollution.

• **Common trouble shooting**

- 1, After changed batteries could not turn on the sensor bin. Please check the batteries install. Make sure 4 AA batteries all are well touched the spring and metal connection points and directions are correct. Make sure batteries is well installed then try again. Mostly the problem is the battery install.
 - 2, At normal working status but find the lid could not open completely and battery low warning status is not active. When user using dry alkaline batteries this situation may happen. Our low battery warning status is active by the low power voltage but some dry alkaline battery have high internal resistance when it's voltage is still high but output current is very low could not drive the motor. So we recommend customer using high capacity liquid alkaline batteries for longer using time. Please try to change the batteries.
 - 3, Lid could not close completely. When bin is not full but this happens please check the battery is in battery low warning status or not. When batteries in low power status this will happen. User can push down the flap gently.
 - 4, Remote of TV, air controller, or any other infrared remote could interference with the sensor bin. The IR remote have same frequency IR light as our sensor bin use so they can be interference the sensor bin. This is normal just replace the bin far away from above remote working place you can put the bin in corners or other places to reduce the interference.
-

- 5, Some fluorescent lamp at it turn on time will interference with the sensor. This kind of lamp can give out same frequency IR light as the sensor bin use when it turn on. So may have interference with the sensor bin but few minutes after the lamp comes stable interference will disappear. The lamp only give out high infrared light at the beginning of its turn on time. So please do not put the bin vertically under the lamp. Try to put it in corners.
- 6, When use water wash the top directly the inductive switch can turn on and turn off the sensor bin . This is normal that water can active the inductive switch. Just when replace the sensor bin make sure it's in turn on status.
- 7, After battery low warning status is active please change battery as soon as possible. When the battery is so low the sensor bin will turn off itself. That the power could not support system working it will switch in turn off status.

If you have any troubles during using this sensor bin, you can send email to us: sales@dunkung.com or ring us: +86 769-2168 0284. thank you.